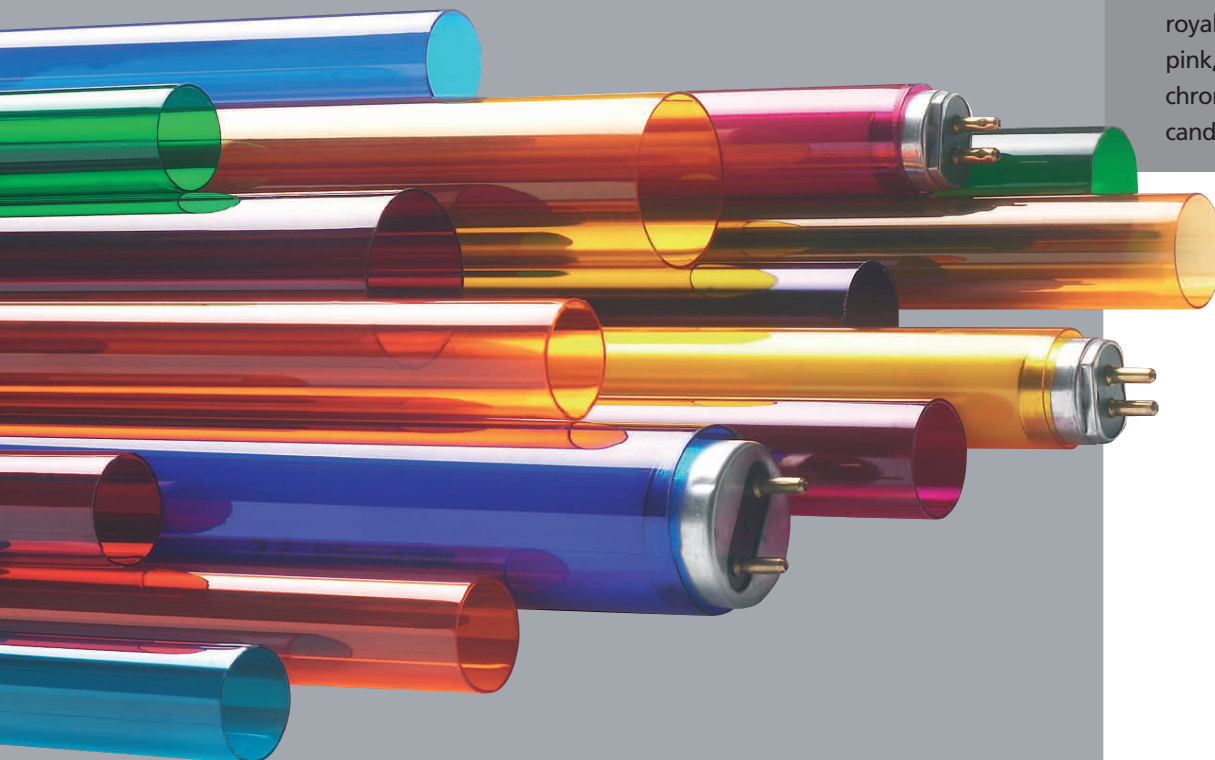


Coloured Sleeves

DDP – Deep dyed polycarbonate



- For subtle or stunning effects you can't beat the simplicity of a coloured sleeve, simply slide the sleeve over the fluorescent lamp for an instant transformation of lighting mood.
- DDP for T8 & T5 – totally fade free and will out last any filtered sleeve on the market.



LAMP TYPE

Specific sizes to fit T5 and T8 lamps.
Not suitable for HO lamps.

COLOURS

Colours available guaranteed fade free from our DDP range, Ice blue, sky blue, royal blue, purple, lavender, pink, candy pink, red, light red, orange, light orange, chrome green, leaf green, acid yellow and candlelight.

CONSTRUCTION

Polycarbonate tubing with colour extruded.

TEMPERATURE

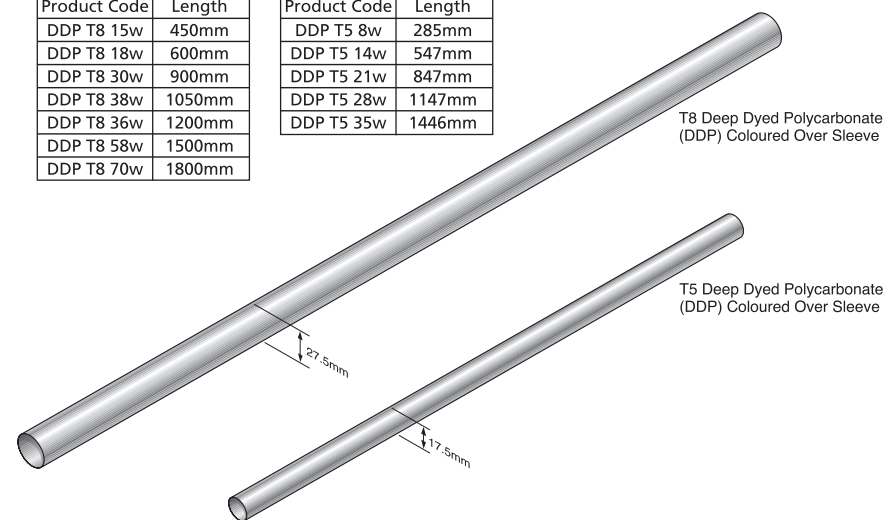
-90 – +120°C.

STANDARDS

CE, WEEE and ROHS compliant.

T8 DDP Coloured Sleeve	
Product Code	Length
DDP T8 15w	450mm
DDP T8 18w	600mm
DDP T8 30w	900mm
DDP T8 38w	1050mm
DDP T8 36w	1200mm
DDP T8 58w	1500mm
DDP T8 70w	1800mm

T5 DDP Coloured Sleeve	
Product Code	Length
DDP T5 8w	285mm
DDP T5 14w	547mm
DDP T5 21w	847mm
DDP T5 28w	1147mm
DDP T5 35w	1446mm



Coloured Sleeves

COS – Coloured over sleeve

- For subtle or stunning effects you can't beat the simplicity of a coloured sleeve, simply slide the sleeve over the fluorescent lamp for an instant transformation of lighting mood. COS colours are not guaranteed against fading unlike DDP.



LAMP TYPE

Specific sizes to fit T5 and T8 lamps.
Not suitable for HO lamps.

COLOURS

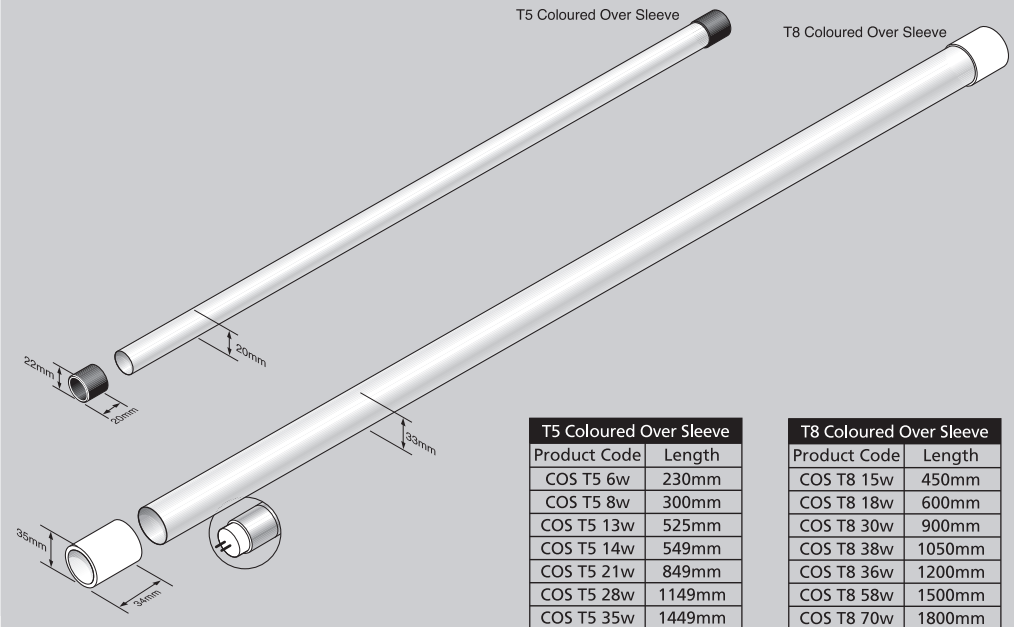
200 filter colours are available for the COS range but not guaranteed fade free.

CONSTRUCTION

Clear Polycarbonate tubing with coloured filter insert and polycarbonate end caps.

STANDARDS

CE, WEEE and ROHS compliant.



For Product support Freecall 1800 733 113 or Email info@yld.com.au