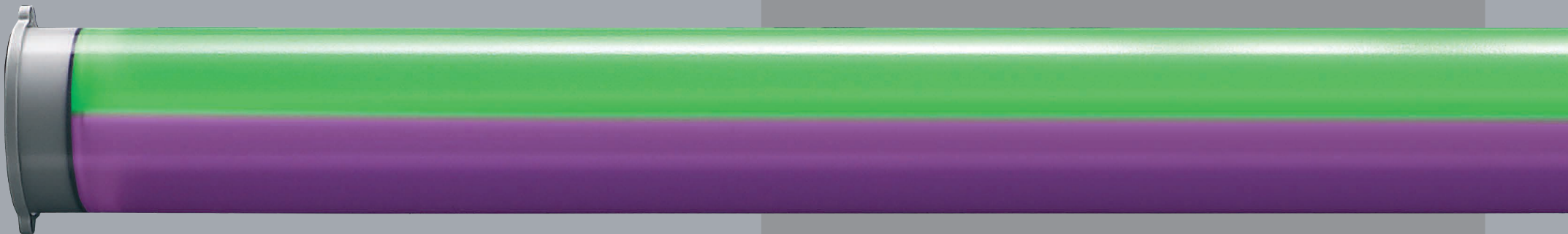


MT360 IP68

Waterproof lighting

- The MT360 utilises the same outer casing as the MT70 but EncapSulite have designed a unique gear tray that houses the ballast avoiding any dark areas at the end or back of the light fitting, we have achieved an unhindered 360 degree light output that can be either all one colour or 180 degrees of two colours. The lamps can be switched or controlled together or separately.



Incorrect wiring/programming will invalidate all warranties.
No Emergency conversion available for this product. No thru wiring option.

MT360

Waterproof Lighting



TECHNICAL INFORMATION

Do not submerge

LAMP

Twin T5 triphosphor colour 840 as standard, other colour temperatures to order, typical lamp life T5 20,000 hrs, Longer life lamps available as cost option.

FIXING

Mounting brackets included, open clips or suspension eyes no cost alternatives. Suspension wires available as cost option.

COLOURS

Any lamp colour or our DDP coloured sleeves (guaranteed fade free) can be specified. Colours available from our DDP range, Ice blue, sky blue, royal blue, purple, lavender, candy pink, pink, light red, red, orange, light orange, chrome green, leaf green, acid yellow and candlelight.

CONSTRUCTION

Polycarbonate outer casing 1.5mm wall x 70mm outside diameter. End caps Nylon 6. Reflector tray 0.9mm pre coated steel, HF electronic ballast.

Please note all plastics absorb moisture and this phenomena will produce more condensation in fittings directly exposed to rain for extended periods than those that are not. Please call for more information if required.

WIRING AND CONNECTIONS

Plug and go IP65-IP68 250v 20A VDE, UL, CSA, LR, GL, DNV. All internal wiring 1mm and 1.5mm solid LSF (low smoke and fume). External wiring if supplied 1.5mm three core black Arctic grade PVC Temperature range -20 to +70°C. BS6500 1984. Cable gland 20mm thread, cable clamping range 6mm-10mm IP68. Optional 25mm cable gland available for larger diameter cable 13mm-18mm or 2 x maximum 9mm cables.

OPERATION TEMPERATURE

-20°C – +50°C Please note lamps will run at reduced light output in colder temperatures. Not dimmable below +10°C.

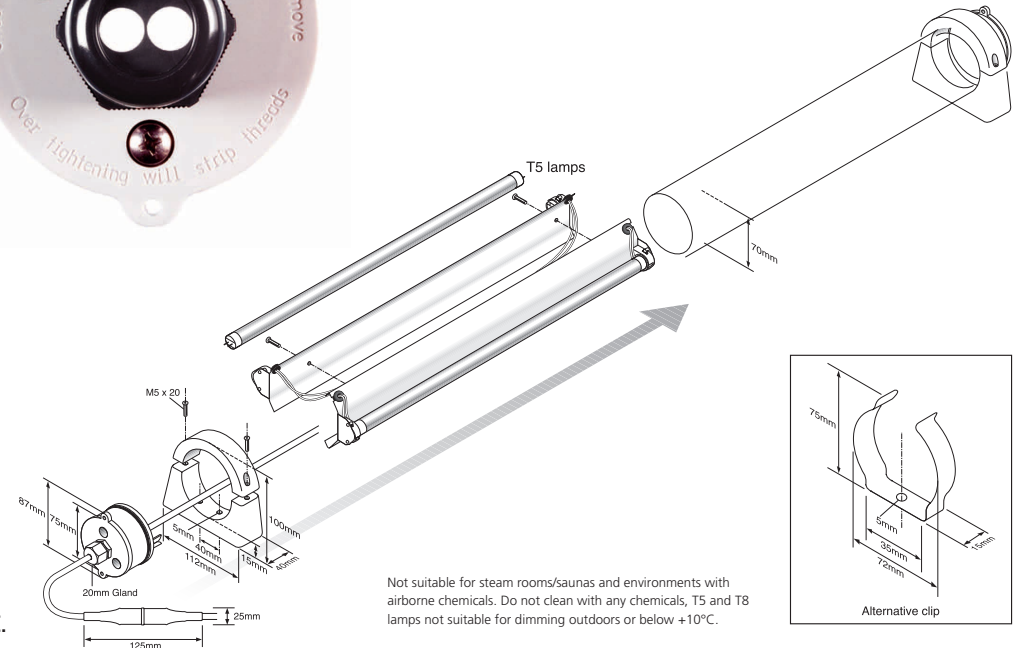
STANDARDS

Outer casing UL94 HB, Glow wire test 850c RTI-125. End caps UL V2. Tested by BSI to BSEN 60598-1 IP68 Not recommended for immersion. Complies with CE for Europe and UL for USA. Class 1 product, Covers EMC/LV requirements, CE WEEE and ROHS compliant Ballast EN60929, EN61000-3-2, EN 55015 EN61547. AS/NZS CISPR 15:2002

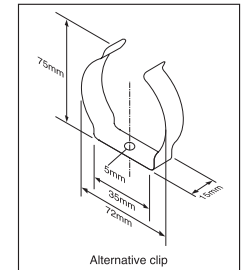


VOLTAGE

220v-240v AC 50-60Hz, Start up amps 0.98 operating amps 0.07- 0.30 dependant on wattage.



Not suitable for steam rooms/saunas and environments with airborne chemicals. Do not clean with any chemicals, T5 and T8 lamps not suitable for dimming outdoors or below +10°C.



Product Code	14w	21w	28w	35w
MT70-360 Single switched = Both lamps switched separately	X	✓	✓	✓
MT360 Twin switched = Both lamps switched together	✓	✓	✓	✓
MT360 DALI Twin = Both lamps controlled together	✓	✓	✓	✓
MT360 DALI Single = Each lamp controlled separately	X	X	✓	✓
Overall length including cable gland one end mm	650	965	1260	1550

No HO Option.

For Product support Freecall 1800 733 113 or Email info@yld.com.au