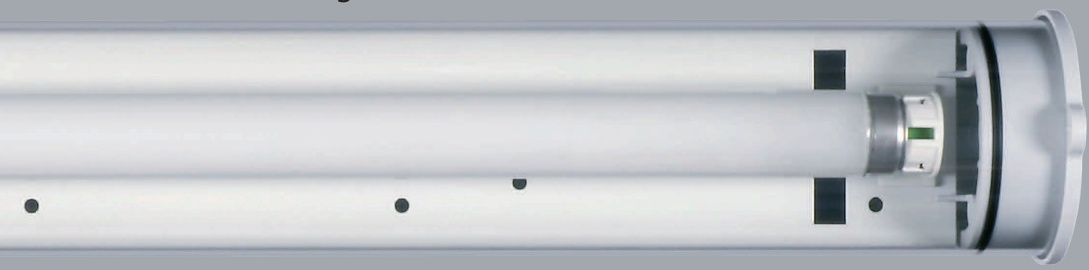
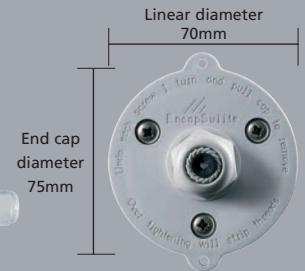
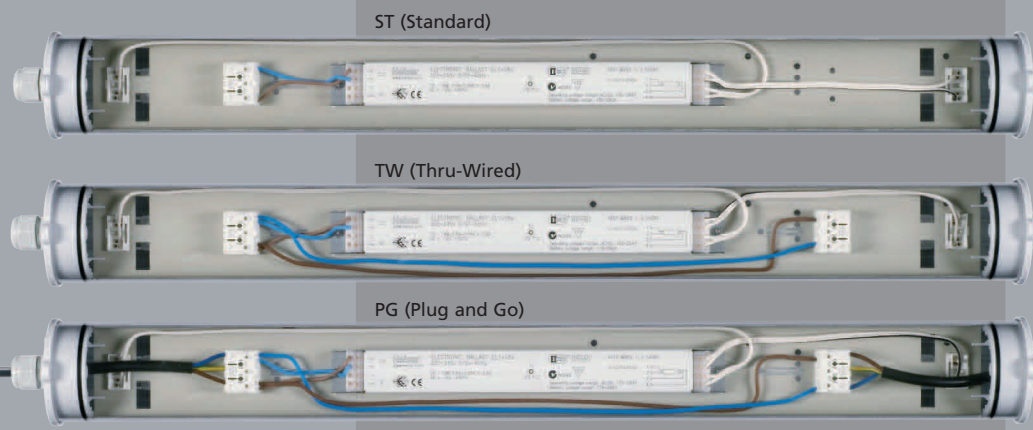


MT-70 IP68

Waterproof lighting



- IP68 tested by BSI (not suitable for immersion).
- Glow wire test 850c.
- EN 60598-2-1 tested by BSI.
- Light transmission data available in ldt, ies, cls, CIBSE and pdf formats. Tested by 42 Partners.
- Suspension wire mounting optional.
- Secure mounting clips.
- 1.5mm thick polycarbonate housing – available in Satine or clear finish.
- Internal wiring Low Smoke and Fume (LSF).



Available in clear or satine finish:

- Standard = single cable gland at one end.
- Thru Wired = cable gland at each end.
- Plug and Go = pre-wired with 300mm cables and IP65-68 plugs both ends.

T5 lamps supplied in Col 840 as standard, 827, 830 and 865 available at no extra cost.

| | |
|--|--------|
| 18w | 720mm |
| 36w | 1330mm |
| 58w | 1630mm |
| 70w | 1895mm |
| Add 30mm to length for TW and PG versions. | |

Please see over for installation and maintenance advice.

See separate data sheet for LED Emergency Conversions including Auto Test, Self Test, DALI, Potential free and maintained / Non maintained options.

3 hour emergency conversions available for 30w, 36w, 58w and 70w only.

Incorrect wiring or programming will invalidate all warranties.

MT-70 IP68

Waterproof lighting



INSTALLATION AND MAINTENANCE


WIRING

Ensure all power supplies are disconnected prior to commencing any electrical work.

Undo the three screws two turns each.

Pull end cap out from the end of the tubing.

Feed a suitable three-core cable for your application, through the cable gland. (Cable gland supplied is suitable for 6-10mm cable diameter).

Terminate the cable into the connector Marked N (Neutral)  L (Live).

Do not use in water.

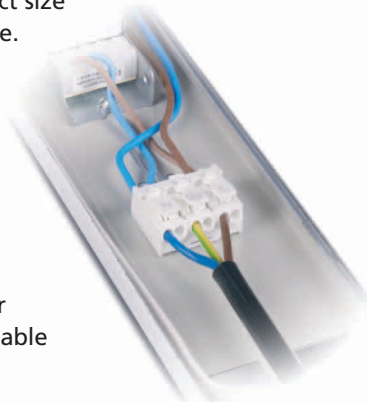
T5/T8 Lamps cannot be dimmed in temperatures below +10°C.

Ensure the use of correct size cable gland to suit cable.

Do not Mega Test.

Please enquire to verify if this product is suitable for your application.

EncapSulite will not accept responsibility for products used in unsuitable applications.



RE-LAMPING

If re-lamping, twist lamp a quarter turn and lift out of lamp holders, replacement lamp shall be of the same wattage and only turned a quarter turn when fitted.

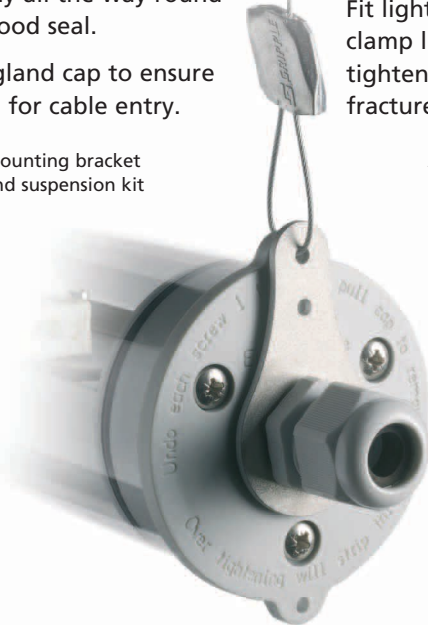
Slide the end cap down the cable and into the end of the tube ensuring a true fit.

Tighten the three screws evenly.

Check the seal around the inside of the tube is shiny all the way round confirming a good seal.

Tighten cable gland cap to ensure watertight seal for cable entry.

Mounting bracket and suspension kit

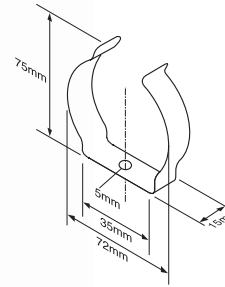


MOUNTING

Fix mounting clips to wall or ceiling, spaced approximately 100mm from light fitting ends.

Fit light to clips and tighten screws to clamp light, being careful not to over tighten as this could cause stress fractures in the outer casing.

Alternative fixing bracket



TESTED TO IP68

Although tested to IP68, Encapsulite do not recommend immersion. Encapsulite have no control over the quality of workmanship carried out on site and do not accept responsibility for any units used in water.


The MT range is suitable for using with indoor and outdoor applications.

Type X MT (PG) If the MT fitting is supplied with an external plug and flexible cable that is damaged, it shall be replaced by a special plug and cable available exclusively from the manufacturer or our service agent.

Tested to EN 60598-2-1: 1989 / BSEN 60598-1: 2004. AS/NZS CISPR 15:2002

CE, WEEE and ROHS compliant.

230v 50-60Hz 

 suitable for mounting on combustible surfaces.

Class 1 Product, Earth required.

Incorrect wiring or programming will invalidate all warranties.

For Product support Freecall 1800 733 113 or Email info@yld.com.au

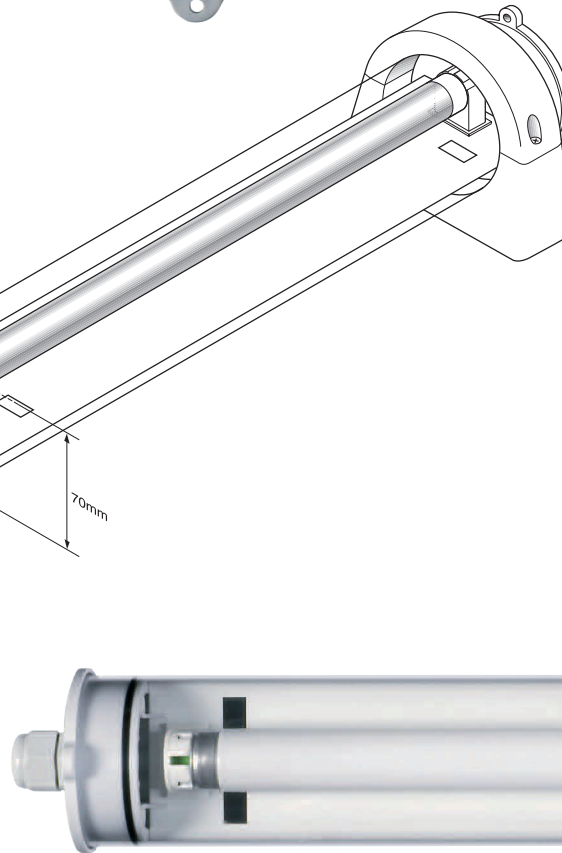
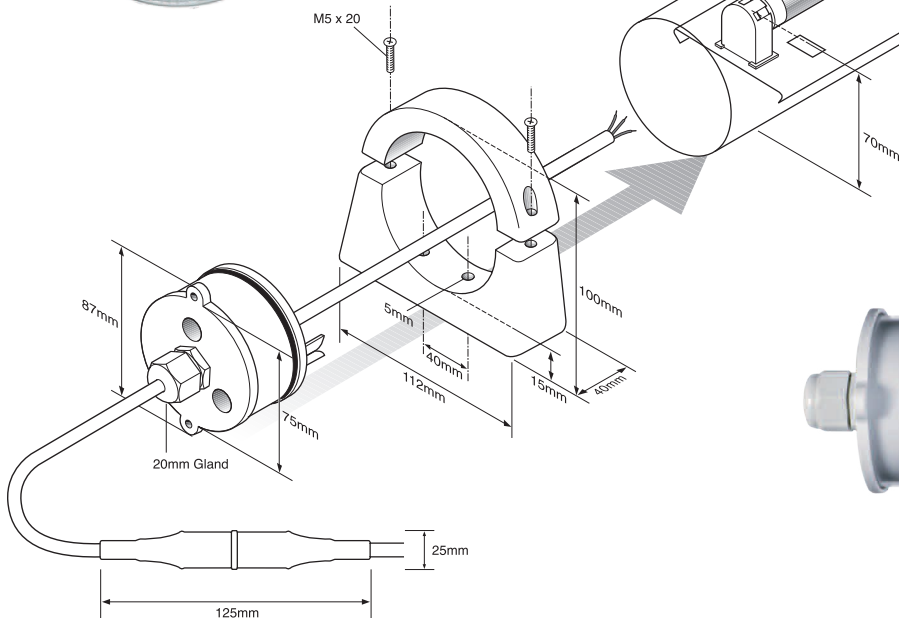
MT-70 IP68

Waterproof lighting

TECHNICAL INFORMATION



2 part bracket



| MT70 ST | |
|--------------|----------------|
| Product Code | Overall Length |
| MT70 9w | 295mm |
| MT70 11w | 355mm |
| MT70 18w | 720mm |
| MT70 36w | 1330mm |
| MT70 58w | 1630mm |
| MT70 70w | 1895mm |

| MT70 TW/PG | |
|--------------|----------------|
| Product Code | Overall Length |
| MT70 9w | 325mm |
| MT70 11w | 385mm |
| MT70 18w | 750mm |
| MT70 36w | 1360mm |
| MT70 58w | 1660mm |
| MT70 70w | 1925mm |

Overall length includes cable gland.

Please note all plastics absorb moisture and this phenomena will produce more condensation in fittings directly exposed to rain for extended periods than those that are not. Please call for more information if required.

Not suitable for steam rooms/saunas and environments with airborne chemicals.
Do not clean with any chemicals, T5 and T8 lamps not suitable for dimming outdoors or below +10°C.

Incorrect wiring, testing or programming will invalidate all warranties.

For Product support Freecall 1800 733 113 or Email info@yld.com.au