

UV400 Sleeves

Museums, Archives and Libraries



- This product from Encapsulite was developed to filter out harmful UV from fluorescent tubes while still retaining good lamp colour temperature, importantly the new UV400 avoids interfering with the fitment of louvers and diffusers often used in conjunction with the UV filter.
- Cuts out all UV up to 400 nanometers.
- Conforms to BS 5454.



T8 UV400



T5 UV400

Please see overleaf for installation and maintenance advice.

UV400 Sleeves

Museums, Archives and Libraries



TECHNICAL INFORMATION

For indoor applications only

LAMP

Specific sizes to fit T5 and T8 lamps.
Not suitable for HO lamps.

CONSTRUCTION

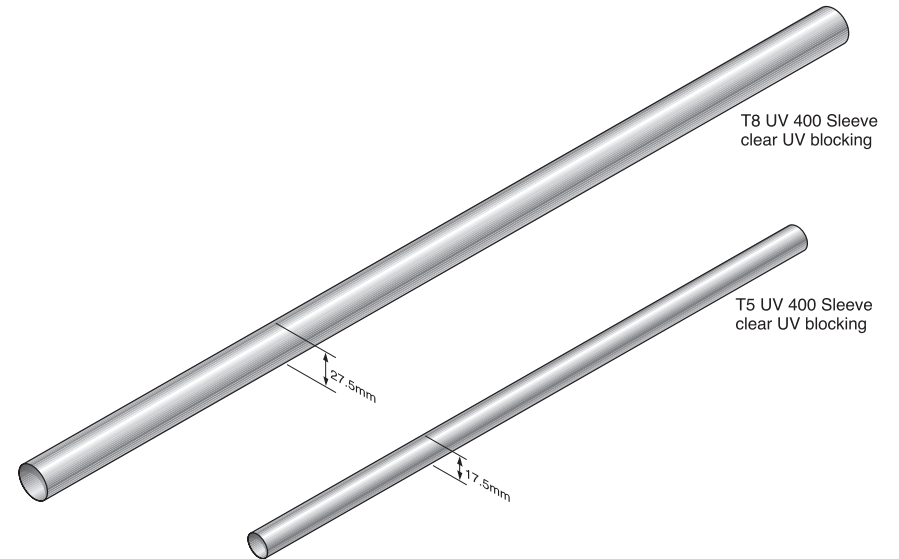
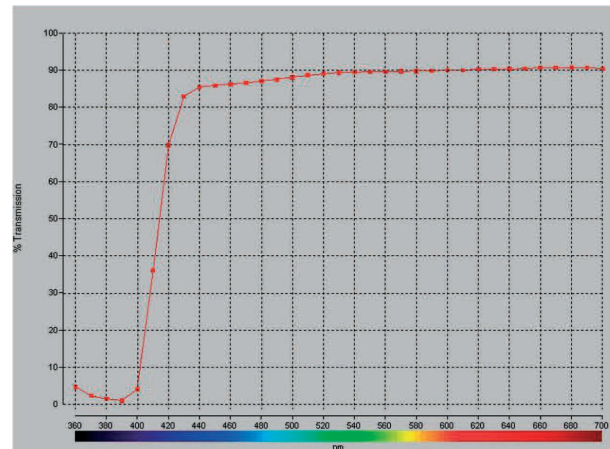
Polycarbonate tubing extruded with UV inhibitor, 0.45mm wall x 27.5mm for T8 and 17.5mm for T5.

TEMPERATURE

-90 – +120°C.

STANDARDS

BS5454 1989.
CE, WEEE and ROHS compliant.



T5 UV400

T8 UV400



For Product support Freecall 1800 733 113 or Email info@yld.com.au